

## Magnetic Float Switches for Liquids



measuring  
•  
monitoring  
•  
analyzing

NCP/NCB/NCS



- Available Materials: Brass, SS, NBR, Polypropylene, and PVC
- Maximum Pressure: 400 PSIG
- Maximum Temperature: 300 °F
- Single Point Design
- Field Changeable Switch Logic



Order from: **C A Briggs Company**

622 Mary Street; Suite 101; Warminster, PA 18974

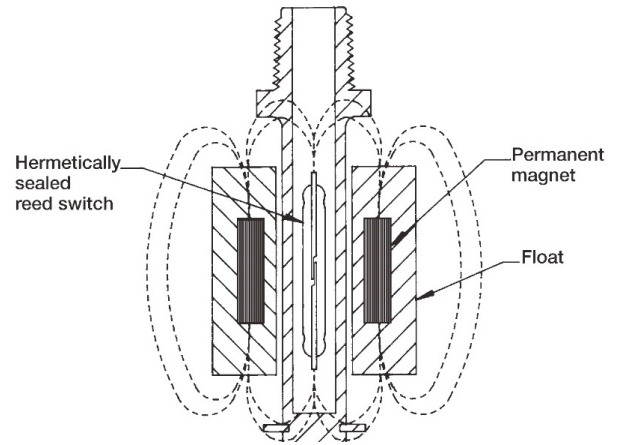
Phone: 267-673-8117 - Fax: 267-673-8118

[Sales@cabriggs.com](mailto:Sales@cabriggs.com) - [www.cabriggs.com](http://www.cabriggs.com)



**Description**

KOBOLD float level switches are designed to meet a wide range of applications. They use a hermetically sealed reed contact actuated by a magnet in the float. As the float rises and falls, the magnetic field causes the switch inside the stem to open or close. Our level switches can be mounted in the tank top or bottom and will operate with up to a 30 degree tilt from vertical. They are field selectable for normally open or normally closed. They can also be made intrinsically safe for hazardous application by the use of I.S. barriers, such as our REL-6000. Contact protection relays, such as the RL-Series, should be considered to protect the switch from overload.



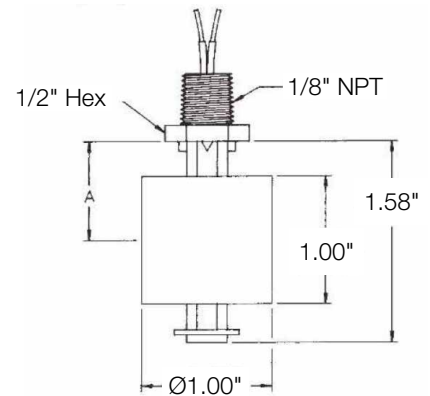
**Switch Ratings for Resistive Loads**

Contact Rating	Switch Type	Maximum Voltage	Max. Current	
			AC	DC
100 VA	SPST	240 VAC/VDC	1.0 A	0.4 A
20 VA	SPDT	240 VAC/VDC	0.7 A	0.4 A

**NCP-2554: Top-Mount Polypropylene Switch**

- Compact Size, Small Displacement
- Reliable, Yet Inexpensive
- Seamless Construction
- Resistant to Compatible Chemicals

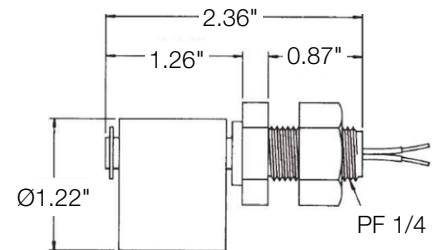
Max. Pressure: 100 PSIG  
 Op. Temp. Range: -40...225 °F  
 Fitting: 1/8" NPT  
 Lead: 22 AWG x 24"  
 Minimum S.G. of Media: 0.81



**NCP-5094: Side-Mount Polypropylene Switch**

- Side-Mount Design for Small Vessels
- Minimal Float Travel and Displacement
- Resistant to Compatible Chemicals

Max. Pressure: 40 PSIG  
 Op. Temp. Range: -40...176 °F  
 Fitting: PF 1/4" (1/2" x 20)  
 Lead: 22 AWG x 24"  
 Minimum S.G. of Media: 0.81



**Order Details: NCP**

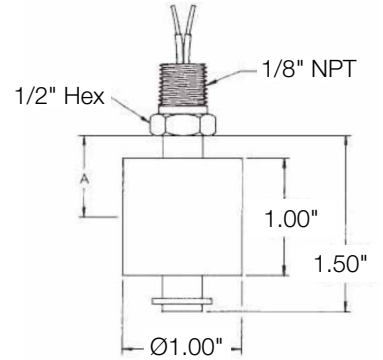
Type	Model Number	Stem / Float	Switch
Top Mount	<b>NCP-2554</b>	Polypropylene / Polypropylene	20 VA, SPST
Side Mount	<b>NCP-5094</b>	Polypropylene / Polypropylene	20 VA, SPST



**NCB-1054 / NCB-1064: Small NBR Switch**

- Compact Size, 1" dia. Float
- Precise Repeatability
- Reliable, Great Longevity
- Stem in 316 SS or Brass

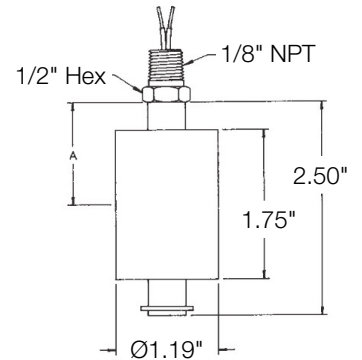
**Max. Pressure:** 150 PSIG  
**Op. Temp. Range:** -40...230 °F (Oil)  
 -40...180 °F (Water)  
**Fitting:** 1/8" NPT  
**Lead:** 22 AWG x 24"  
**Minimum S.G. of Media:** 0.55



**NCB-1000: Intermediate Size NBR Switch**

- Reliable
- Inexpensive
- Compact, Narrow Displacement
- Stem in 316 SS or Brass

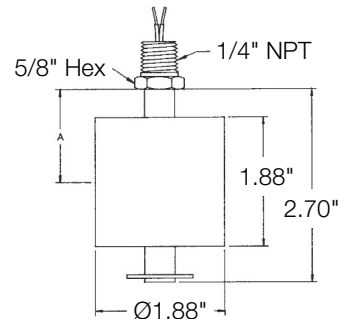
**Max. Pressure:** 150 PSIG  
**Op. Temp. Range:** -40...230 °F (Oil)  
 -40...180 °F (Water)  
**Fitting:** 1/8" NPT  
**Lead:** 18 AWG x 24"  
**Minimum S.G. of Media:** 0.55



**NCB-5000: Large NBR Switch**

- Maximum Displacement for High Viscosity Media
- Rugged Build
- Built for Industrial Service

**Max. Pressure:** 150 PSIG  
**Op. Temp. Range:** -40...230 °F (Oil)  
 -40...180 °F (Water)  
**Fitting:** 1/4" NPT  
**Lead:** 18 AWG x 24"  
**Minimum S.G. of Media:** 0.55



**Order Details: NCB**

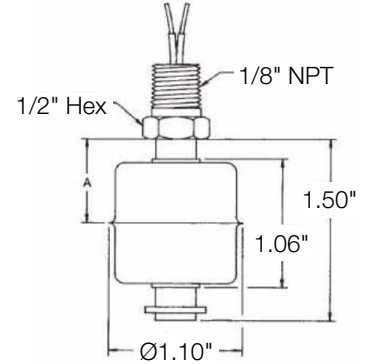
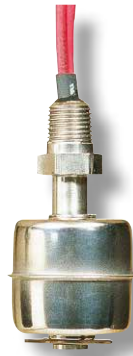
Type	Float Size	Model Number	Stem / Float	Switch
Top Mount	Small	<b>NCB-1054</b>	316 SS / NBR	20 VA, SPST
Top Mount	Small	<b>NCB-1064</b>	Brass / NBR	20 VA, SPST
Top Mount	Intermediate	<b>NCB-1084</b>	316 SS / NBR	100 VA, SPST
Top Mount	Intermediate	<b>NCB-1094</b>	Brass / NBR	100 VA, SPST
Top Mount	Large	<b>NCB-5124</b>	316 SS/ NBR	100 VA, SPST
Top Mount	Large	<b>NCB-5134</b>	Brass / NBR	100 VA, SPST
Top Mount	Large	<b>NCB-5154</b>	Brass / NBR	20 VA, SPST



**NCS-1074: Small, 316 Stainless Steel Switch**

- Compatible with Corrosive Media
- Withstands High Temperatures and Pressures
- Resistant to Shock and Vibration
- Long Operating Life
- Compact Size, 1.1" dia. Float

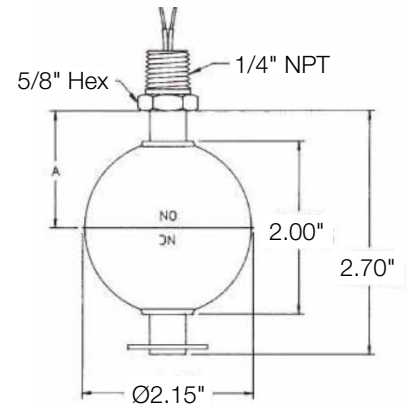
**Max. Pressure:** 400 PSIG  
**Op. Temp. Range:** -40...300 °F  
**Fitting:** 1/8" NPT  
**Lead:** 22 AWG x 24"  
**Minimum S.G. of Media:** 0.77



**NCS-1104...7202: Large, 316 Stainless Steel Switch**

- Compatible with Corrosive Media
- Withstands High Temperatures and Pressures
- Resistant to Shock and Vibration
- Long Operating Life

**Max. Pressure:** 400 PSIG  
**Op. Temp. Range:** -40...300 °F  
**Fittings:** 1/4" NPT (NCS-1104...7201)  
 1/2" -13 UNF (NCS-7202)  
**Leads:** 18 AWG x 24" (Standard)  
 18 AWG x 120" (Waterproof)  
**Minimum S.G. of Media:** 0.65



**Order Details: NCS**

Size	Type	Model Number	Stem/Float	Switch
Small	Standard	<b>NCS-1074</b>	316 SS / 316 SS	20 VA, SPST
Large	Standard	<b>NCS-1104</b>	316 SS / 316 SS	100 VA, SPST
Large	Waterproof - NPT	<b>NCS-7201</b>	316 SS / 316 SS	20 VA, SPST
Large	Waterproof - UNF	<b>NCS-7202</b>	316 SS / 316 SS	20 VA, SPST



**NCS-5161: Side mount, All 316 Stainless Steel Switch**  
**NCB-5171: Side mount, 316 SS Stem/NBR Float Switch**

- 90° Bend Allows Mounting Where Access To The Tank Top or Bottom is Restricted
- 316 SS Stem is Standard
- Float in SS or NBR
- Long Operating Life

**Max. Pressure**

**SS:** 275 PSIG (SS)  
**NBR:** 150 PSIG (NBR)

**Op. Temp. Range**

**SS:** -40...300 °F  
**NBR:**

**In Oil:** -40...230 °F  
**In Water:** -40...180 °F

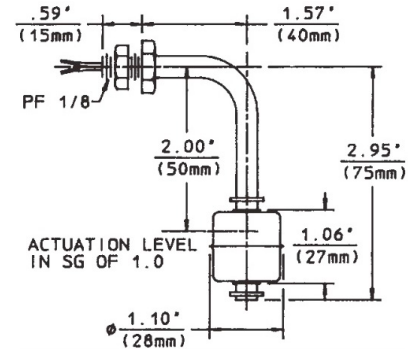
**Fitting:** PF 1/8" (3/8"- 24)

**Lead:** 22 AWG x 11"

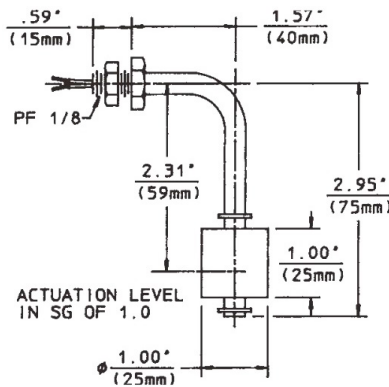
**Minimum S.G. of Media**

**SS:** 0.77  
**NBR:** 0.55

**NCS-5161: 316 Stainless Steel Float**



**NCB-5171: NBR Float**



**Order Details: NCS-5161, NCB-5171**

Type	Model Number	Stem / Float	Switch
Side Mount	<b>NCS-5161</b>	316 SS / 316 SS	20 VA, SPST
Side Mount	<b>NCB-5171</b>	316 SS / NBR	20 VA, SPST

No responsibility taken for errors; subject to change without prior notice.

Order from: **C A Briggs Company**

622 Mary Street; Suite 101; Warminster, PA 18974

Phone: 267-673-8117 - Fax: 267-673-8118

[Sales@cabriggs.com](mailto:Sales@cabriggs.com) - [www.cabriggs.com](http://www.cabriggs.com)